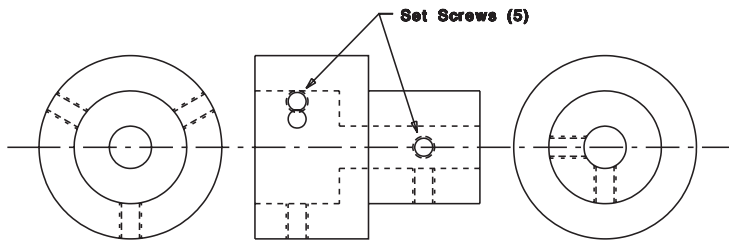
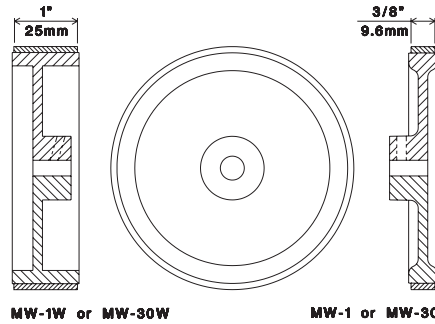


RL Shaft Encoder Accessories

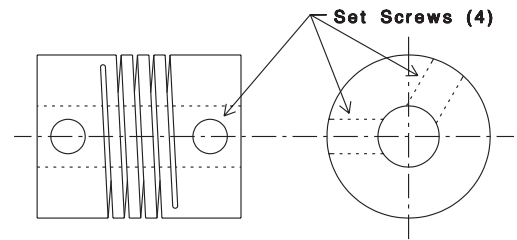
Measuring Wheels and Shaft Couplings

The **MW-1** measuring wheel is precision ground to a 12.00" \pm .01" circumference, and the **MW-30** to a 30.00cm \pm .025cm circumference. The wheels are aluminum with a 3/8" (9.6mm) wide urethane tire having a high coefficient of friction.

The **MW-1W** and **MW-30W** are similar to the MW-1 and MW-30, but have a 1" (25mm) wide urethane tire.

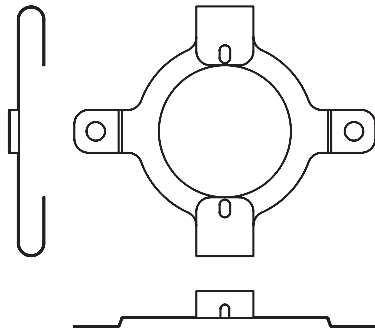


The **MB-085** is a rigid shaft-to-shaft connection of the 3/8" encoder shaft to a 3/8", 3/4", or 1" shaft, appropriate where axial and angular misalignment is not an issue.



The **AE** series aluminum, helical coil flexible couplings reduce bearing wear caused by misalignment of mating shafts.

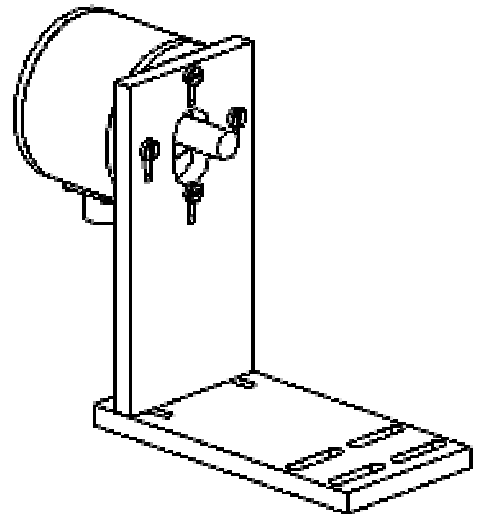
Mounting Brackets



The **MB-FB1** flexible mounting bracket for any RL encoder with hollow shaft or shaft size larger than 3/8" allows the encoder to "float" when rigidly coupled to a mating shaft.

The **MB-FL5** provides a rigid mounting bracket for any RL encoder with shaft size larger than 3/8". It can be adjusted in all 3 dimensions to optimize alignment with the mating shaft.

We recommend a flexible coupling be used with this bracket.



Cables

Standard cables have a connector that mates with the encoder, 10' (3 meters) of shielded wire, and flying leads. Other lengths and custom configurations are available.

