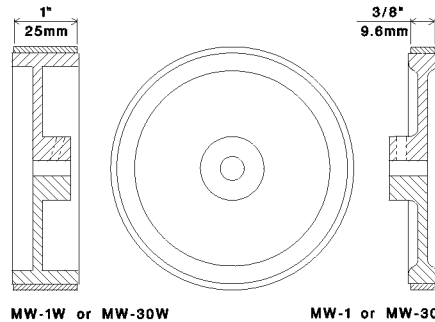


# RH Wheeled Encoder Accessories

## Measuring Wheels

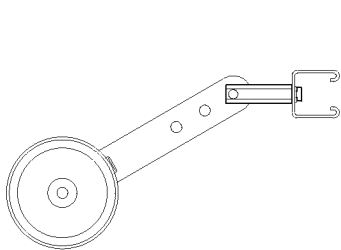
The **MW-1** measuring wheel is precision ground to a  $12.00'' \pm .01''$  circumference, and the **MW-30** to a  $30.00\text{cm} \pm .025\text{cm}$  circumference. The wheels are aluminum with a  $3/8''$  (9.6mm) wide urethane tire having a high coefficient of friction.

The **MW-1W** and **MW-30W** are similar to the MW-1 and MW-30, but have a  $1''$  (25mm) wide urethane tire.

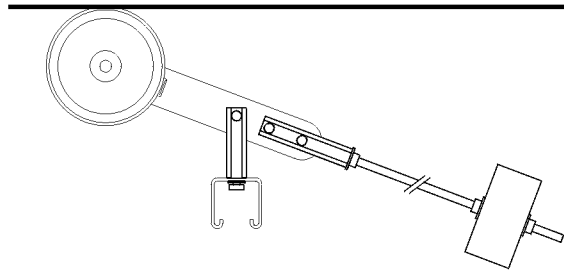


## Mounting Brackets

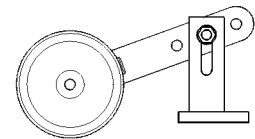
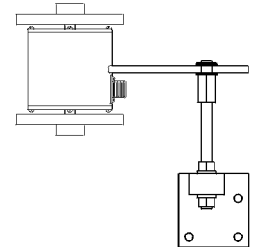
All mounting brackets provide a single point of attachment that allows the RH wheeled encoder to pivot freely to maintain alignment with the conveyor belt, thus maximizing accuracy and minimizing wear.



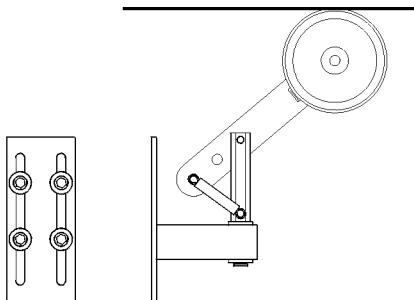
**Y-1** or **Y-3** yoke assemblies provide a mounting above the conveyor belt.



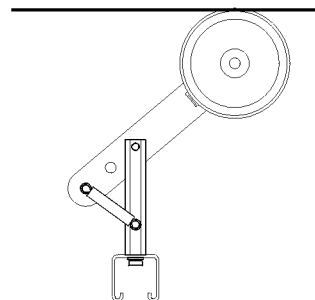
**MB-UB1** underbelt mounting uses a counter-weight to keep the measuring wheels firmly against the bottom of the conveyor belt.



**MB-UB2** Fastens to the side of the web so the wheeled encoder can ride on top of the conveyor belt.



**MB-UB3** underbelt mounting that uses springs to keep the wheels against the belt.



**MB-UB4** is the same as MB-UB3 but attaches to a horizontal beam.

## Cables

Standard cables have a connector that mates with the encoder, 10' (3 meters) of shielded wire, and flying leads. Other lengths and custom configurations are available.

