

R20-P64AJ

Series 20 Programmable Shaft Encoder

DESCRIPTION

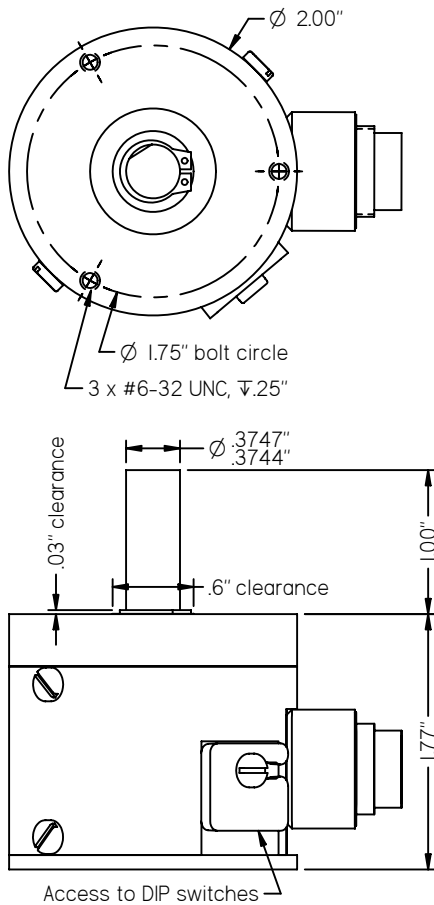
The R20-P64AJ shaft encoder converts shaft rotation into square wave output pulses to provide an accurate and reliable means of digitizing position, rate, or length of travel. The number of pulses per each revolution of the shaft are selectable by setting configuration switches. The R20 is intended to be shaft coupled using a flexible shaft coupling or other means to resolve shaft to shaft misalignment.

FEATURES

- Selectable Pulses/Revolution (1 to 64 ppr)
- ESD / Short Circuit / Reverse Voltage Protected
- Exclusive "Anti-jitter" Circuit for Conveyor Applications
- Up to 3/8" shaft diameter, optional double ended
- Attached cable, or 16mm or M12 connector

DIMENSIONS

(shown with 16mm connector, 3/8" diameter shaft)



OVER 35 YEARS OF MATERIAL HANDLING AND INDUSTRIAL EXPERIENCE

HOTOCRAFT INC

602 E. North Street **630-365-7148**
 Elburn, IL 60119, USA Fax: 630-365-7149
www.photocraftencoders.com

SPECIFICATIONS

Mechanical

Shaft Loading:

- Radial: 40 lbs. / 18.1 kg
- Axial: 30 lbs. / 13.6 kg

A flexible coupling is recommended.

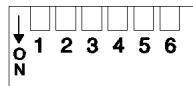
Bearing Life: 32 x 1,000,000/rpm = hours

Materials:

- Case: Aluminum, anodized
- Shaft: 303 Stainless steel
- Switch access door: plastic

Weight: 10 oz. (285 grams)

Configuration Switches



Switch definitions:

- Up (off)
- Down (on)

Pulses per Revolution Selection

1	2	3	4	5	6	1	2	3	4	5	6	1	2	3	4	5	6
1	□	□	□	□	□	22	□	■	□	□	□	43	□	□	□	□	□
2	□	□	□	□	■	23	□	□	□	□	□	44	□	□	□	□	□
3	□	□	□	□	□	24	□	□	□	□	□	45	□	□	□	□	□
4	□	□	□	□	□	25	□	□	□	□	□	46	□	□	□	□	□
5	□	□	□	□	□	26	□	□	□	□	□	47	□	□	□	□	□
6	□	□	□	□	□	27	□	□	□	□	□	48	□	□	□	□	□
7	□	□	□	□	□	28	□	□	□	□	□	49	□	□	□	□	□
8	□	□	□	□	□	29	□	□	□	□	□	50	□	□	□	□	□
9	□	□	□	□	□	30	□	□	□	□	□	51	□	□	□	□	□
10	□	□	□	□	□	31	□	□	□	□	□	52	□	□	□	□	□
11	□	□	□	□	□	32	□	□	□	□	□	53	□	□	□	□	□
12	□	□	□	□	□	33	□	□	□	□	□	54	□	□	□	□	□
13	□	□	□	□	□	34	□	□	□	□	□	55	□	□	□	□	□
14	□	□	□	□	□	35	□	□	□	□	□	56	□	□	□	□	□
15	□	□	□	□	□	36	□	□	□	□	□	57	□	□	□	□	□
16	□	□	□	□	□	37	□	□	□	□	□	58	□	□	□	□	□
17	□	□	□	□	□	38	□	□	□	□	□	59	□	□	□	□	□
18	□	□	□	□	□	39	□	□	□	□	□	60	□	□	□	□	□
19	□	□	□	□	□	40	□	□	□	□	□	61	□	□	□	□	□
20	□	□	□	□	□	41	□	□	□	□	□	62	□	□	□	□	□
21	□	□	□	□	□	42	□	□	□	□	□	63	□	□	□	□	□
												64	□	□	□	□	□

Electrical

Supply Voltages (+vdc): (specify when ordering)

5 ± 5% vdc or 8 to 30 vdc

Supply Current: 50 ma max (no load)

100 ma max (line driver)

Output Circuit: (specify when ordering)

Output voltage level is approximately the same as the input voltage level

Single Ended:

- 7273 open collector (30 VDC max, 50 mA max)
- 7272 Push-Pull (50 mA max source or sink)

Differential Line Driver:

- 7272 differential line driver (also with optional 5vdc output level)

Operating Temperature: 0° to 70° C

Maximum Operating Speed: 2,500 rpm

Outputs

Pulses per Revolution Output: Selectable by setting configuration switches 1 to 6.

Output is "low" when initially powered.

Anti-jitter feature: details on our website

Electrical Connections

Single Ended Outputs:

Optional Connectors	Wire		
6-Pin	M12 4-pin	Function	Color
1	3	Common	Black
2	1	+vdc	Red
4	4	Output A	White
3, 5, 6	2	not used	-

6-pin connector is Amphenol T3402000 or equivalent
 M12 4-pin is Turck FS4.4/18.25 or equivalent

Differential Line Driver Outputs:

Optional Connectors	Wire		
8-Pin	M12 4-pin	Function	Color
1	4	Output +A	White
4	1	+vdc	Red
5	3	Common	Black
6	2	Output -A	Green
2, 3, 7, 8	-	not used	-

8-pin connector is Amphenol T3506000 or equivalent
 M12 4-pin is Turck FS4.4/18.25 or equivalent

MODEL NUMBER

R20	P64AJ				
<u>Model Number</u>	<u>Program Name</u>	<u>Supply Voltage:</u> 5 = 5vdc, 8-30 = 8-30vdc	<u>Output Circuit:</u> leave blank for 7272 Push/Pull, C=7273 open collector, D=7272 line driver, DI=7272 line driver with .5vdc output level	<u>Cable/Connector:</u> leave blank for attached cable, S=6 or 8 pin 16mm, S3=M12 connector	<u>Modification Number:</u> optional modification or special feature ID. Call or see our website.
leave blank for 3/8", A = 5/16", C = 1/4", M8 = 8mm	Call or see our website for information about other available programs for this encoder model.				<u>Accessories:</u> optional accessories (call or see our website).

Example: R20-P64AJ/8-30S - 3/8" shaft diameter, P64AJ program, 8-30vdc, push/pull output, 16mm connector (6 pin)