

Model: MB-UB1 M185

Under-belt mounting

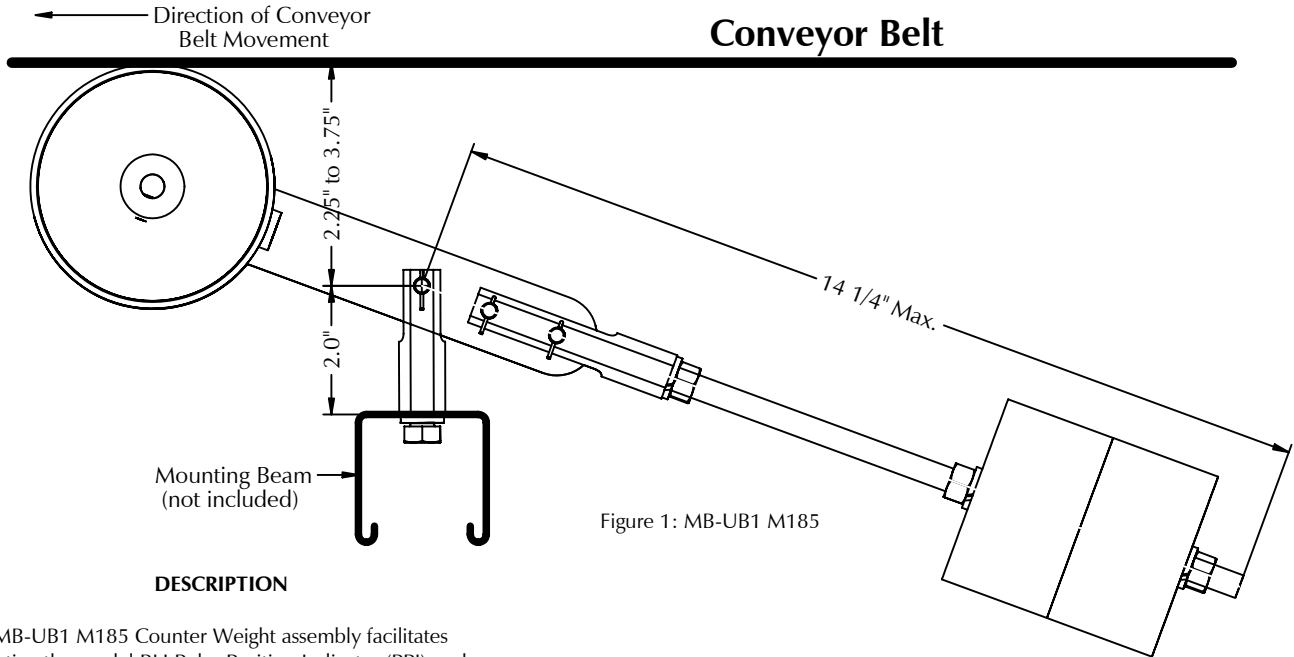


Figure 1: MB-UB1 M185

DESCRIPTION

The MB-UB1 M185 Counter Weight assembly facilitates mounting the model RH Pulse Position Indicator (PPI) under the conveyor belt (or roller) as shown in figure 1. The Y-3 yoke provides a pivot point so the PPI wheels maintain contact and alignment with the belt, compensating for up/down and some sideways movement of the belt.

INSTALLATION

1. Assemble the Y-2 yoke assembly on the end of the PPI arm as shown in figure 2.
2. Assemble the weight and threaded rod (figure 3).
3. Assemble the Y-3 yoke assembly (figure 4).
4. Bolt the Y-3 yoke to a mounting beam (not supplied) using the 3/8-16 bolt and lock washer. The Y-3 should be perpendicular to the conveyor belt with the pivot point 2-1/4"/57mm to 3-3/4"/95mm below the conveyor belt, and positioned so the PPI is aligned with the belt. Caution: If the PPI is not aligned with the belt, premature wheel wear will result.
5. Adjust the position of the 2 x 1.25 lb. weights along the threaded rod. Locating the weight at the end of the rod results in the maximum upward force of the wheels against the belt (this is the normal configuration). The weight can be positioned closer to the PPI along the rod to reduce the upward force.
6. Attach the PPI cable so the cord is clear of the pivot point, and with sufficient slack to allow for expected up/down and sideways PPI movement.

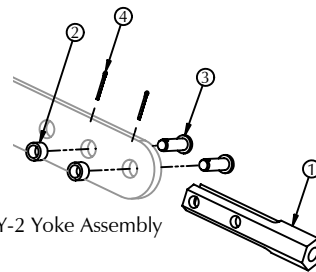


Figure 2: Y-2 Yoke Assembly

Y-2 Yoke Components			
#	Description	Part No.	Qty
1	Y-2 Yoke	500-MCH075	1
2	Plastic Bushing	500-MS007	2
3	Clevis Pin	550-MS004	2
4	Cotter Pin	550-MS005	2

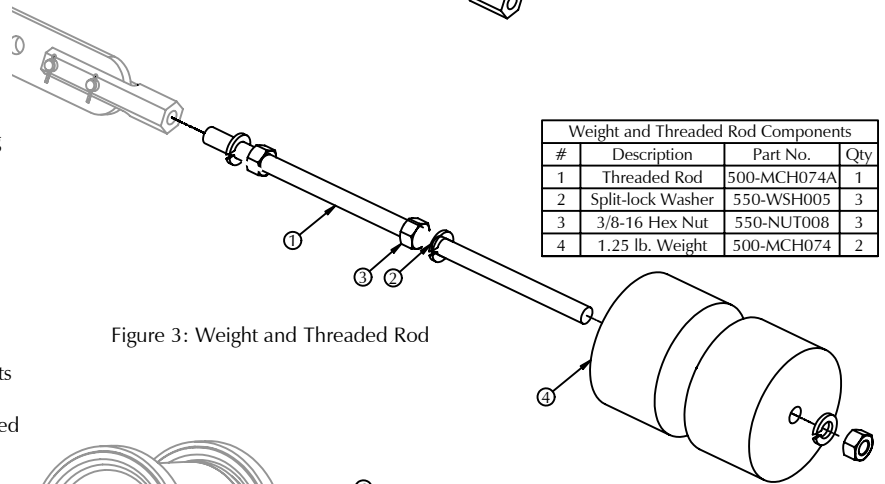


Figure 3: Weight and Threaded Rod

Weight and Threaded Rod Components			
#	Description	Part No.	Qty
1	Threaded Rod	500-MCH074A	1
2	Split-lock Washer	550-WSH005	3
3	3/8-16 Hex Nut	550-NUT008	3
4	1.25 lb. Weight	500-MCH074	2

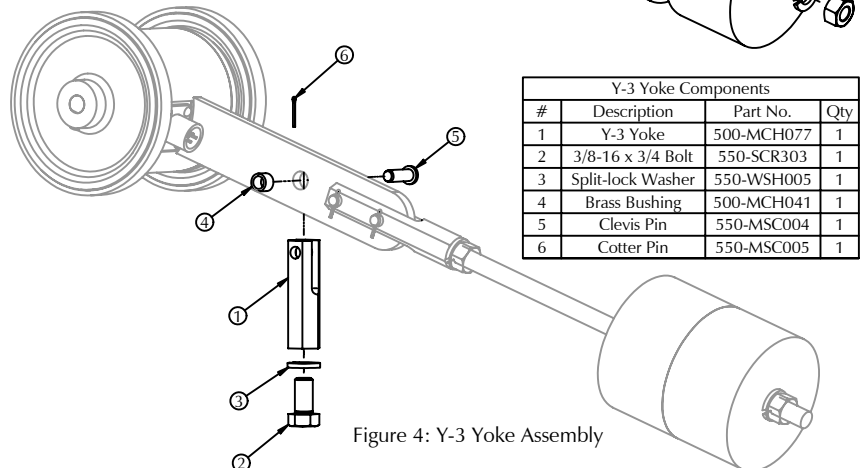


Figure 4: Y-3 Yoke Assembly

Y-3 Yoke Components			
#	Description	Part No.	Qty
1	Y-3 Yoke	500-MCH077	1
2	3/8-16 x 3/4 Bolt	550-SCR303	1
3	Split-lock Washer	550-WSH005	1
4	Brass Bushing	500-MCH041	1
5	Clevis Pin	550-MS004	1
6	Cotter Pin	550-MS005	1



OVER 30 YEARS OF
MATERIAL HANDLING AND
INDUSTRIAL EXPERIENCE

602 E. North Street 630-365-7148
Elburn, IL 60119, USA Fax: 630-365-7149
www.photocraftencoders.com