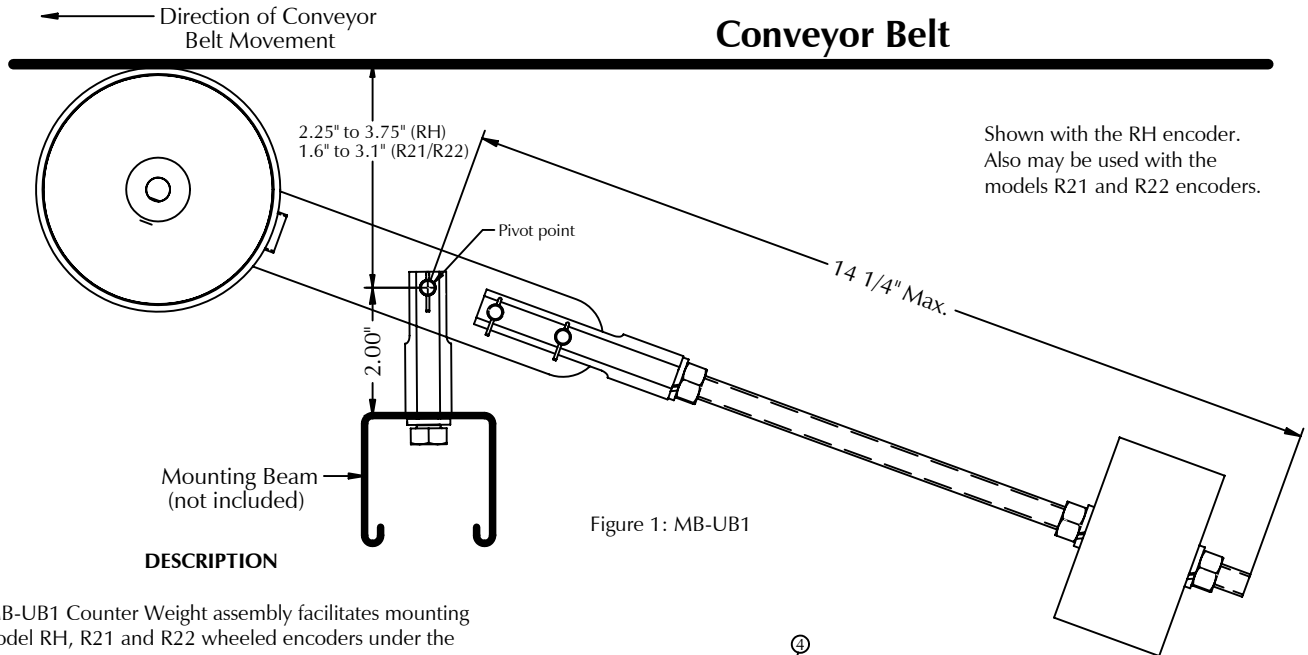


# Model: MB-UB1

# Under-belt mounting



Shown with the RH encoder.  
Also may be used with the models R21 and R22 encoders.

Figure 1: MB-UB1

### DESCRIPTION

The MB-UB1 Counter Weight assembly facilitates mounting the model RH, R21 and R22 wheeled encoders under the conveyor belt (or roller) as shown in figure 1. The Y-3 yoke provides a pivot point so the encoder wheels maintain contact and alignment with the belt, compensating for up/down and some sideways movement of the belt. Nylon washers are included to accommodate the thinner handle on the R21 and R22 wheeled encoders.

### INSTALLATION

1. Assemble the Y-2 yoke assembly on the end of the encoder arm as shown in figure 2.
2. Assemble the weight and threaded rod (figure 3).
3. Assemble the Y-3 yoke assembly (figure 4).
4. Bolt the Y-3 yoke to a mounting beam (not supplied) using the 3/8-16 bolt and lock washer. The Y-3 should be perpendicular to the conveyor belt with the pivot point below the conveyor belt as shown in figure 1, and positioned so the encoder is aligned with the belt. **Caution:** If the encoder is not aligned with the belt, premature wheel wear will result.
5. Adjust the position of the 1.25 lb. weight along the threaded rod. Locating the weight at the end of the rod results in the maximum upward force of the wheels against the belt (this is the normal configuration). The weight can be positioned closer to the encoder along the rod to reduce the upward force.
6. Attach the encoder cable so the cord is clear of the pivot point, and with sufficient slack to allow for expected up/down and sideways encoder movement.

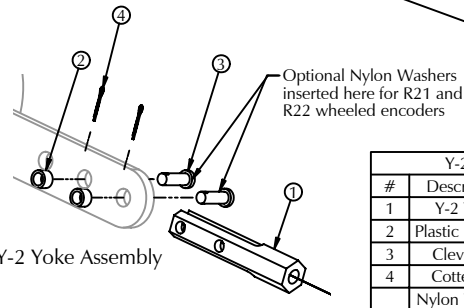


Figure 2: Y-2 Yoke Assembly

Y-2 Yoke Components			
#	Description	Part No.	Qty
1	Y-2 Yoke	500-MCH075	1
2	Plastic Bushing	500-MSC007	2
3	Clevis Pin	550-MSC004	2
4	Cotter Pin	550-MSC005	2
	Nylon Washer	550-WSH006	4

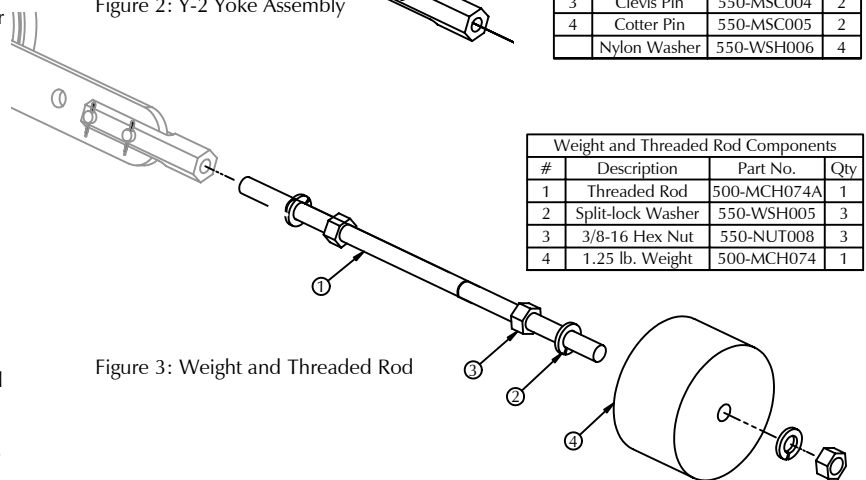


Figure 3: Weight and Threaded Rod

Weight and Threaded Rod Components			
#	Description	Part No.	Qty
1	Threaded Rod	500-MCH074A	1
2	Split-lock Washer	550-WSH005	3
3	3/8-16 Hex Nut	550-NUT008	3
4	1.25 lb. Weight	500-MCH074	1

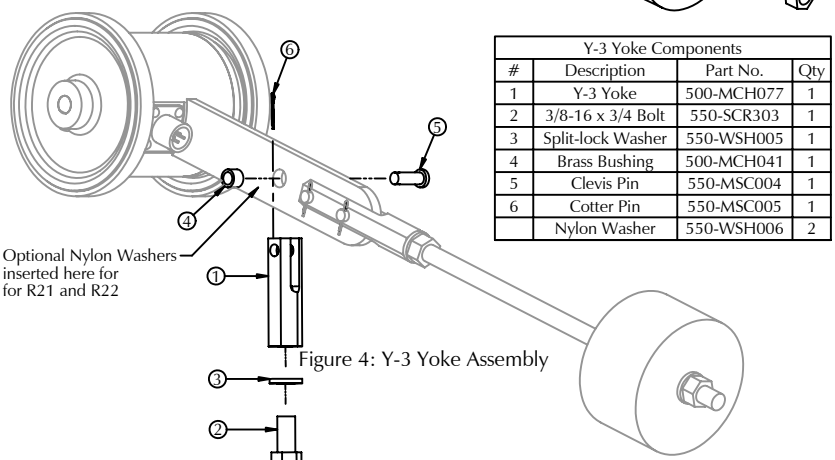


Figure 4: Y-3 Yoke Assembly

Y-3 Yoke Components			
#	Description	Part No.	Qty
1	Y-3 Yoke	500-MCH077	1
2	3/8-16 x 3/4 Bolt	550-SCR303	1
3	Split-lock Washer	550-WSH005	1
4	Brass Bushing	500-MCH041	1
5	Clevis Pin	550-MSC004	1
6	Cotter Pin	550-MSC005	1
	Nylon Washer	550-WSH006	2



602 E. North Street      630-365-7148  
Elburn, IL 60119, USA      Fax: 630-365-7149  
[www.photocraftencoders.com](http://www.photocraftencoders.com)