

MB-FL8A

Shaft encoder mounting bracket

DESCRIPTION

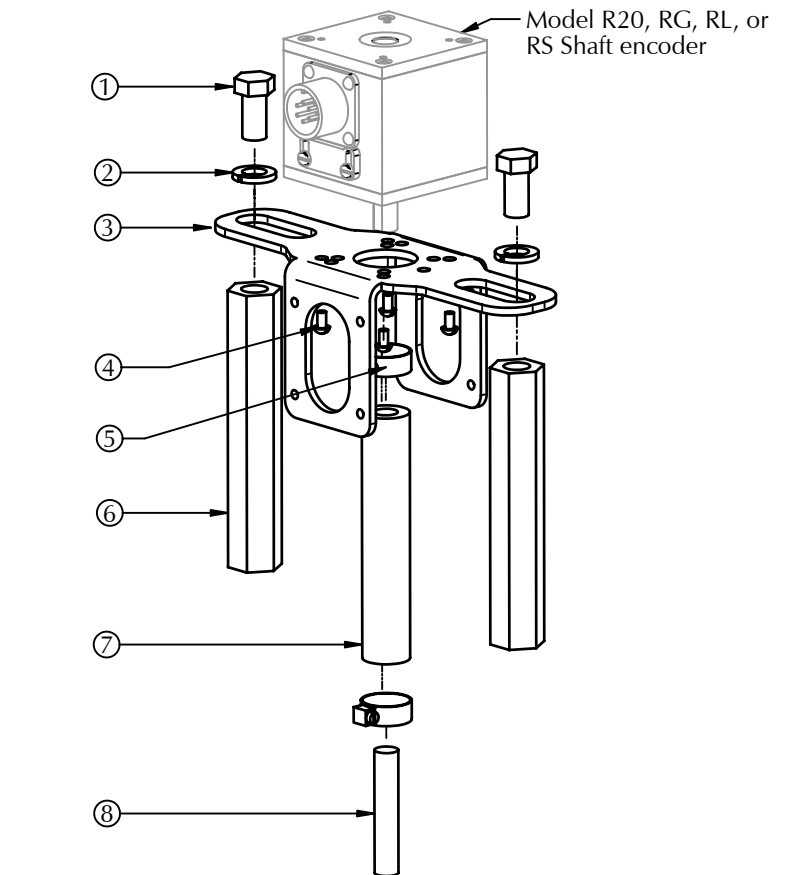
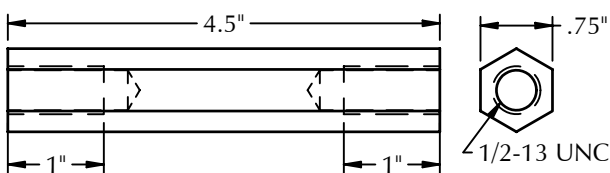
The MB-FL8A attaches the Model R20, RG, RL or RS shaft encoders to a conveyor roller, supported by a 2-bolt flange mount bearing with a bolt spacing of 4" to 6". A threaded stud is inserted into a hole drilled and tapped at the end of the conveyor roller. The flexible rubber hose accomodates the misalignment between the threaded stud and the encoder shaft, eliminating excess load on the encoder bearings.

INSTALLATION

1. Drill and tap a 3/8-16 hole, 3/4" deep, in the end of the conveyor roller. To minimize the excess load on the encoder bearings, the hole must be in-line with the conveyor roller axis.
2. Insert the stud into the drilled hole.
3. Attached the rubber hose to the stud using one of the hose clamps.
4. Attach the 3/4" hex MB-FL8A mounting posts to the 2 flange mount bearing studs.
5. Assemble the encoder to the MB-FL8A mounting base using the 6-32 screws (or 8-32 for RL encoder).
6. Assemble the mounting plate and encoder to the mounting posts using the 1/2-13 bolts and lock washers. At the same time insert the encoder shaft into the hose and clamp it using the other hose clamp, shortening the hose if necessary.

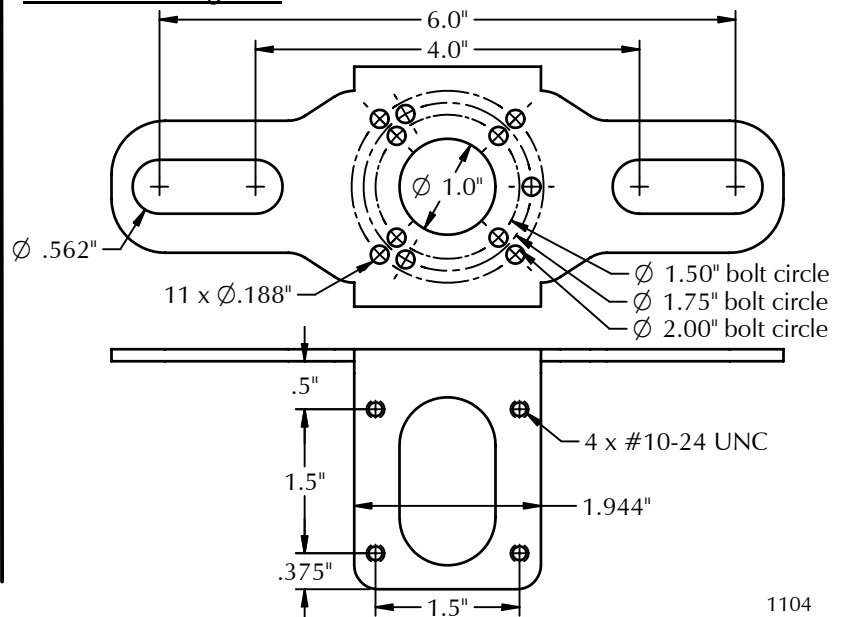
NOTE: For maximum protection of the encoder bearings, the distance between the end of the encoder shaft and the end of the threaded stud should be as large as possible.

MB-FL8 Hex Post



#	Description	Part No.	Qty
1	1/2-13 x 3/4 Bolt	550-SCR311	2
2	1/2" split-lock washer	550-WSH015	2
3	MB-FL8A Mounting Plate, 1/8" aluminum	500-MCH113	1
4	6-32 x 1/4" screws	550-SCR200	4
5	Hose clamp	500-MS018	2
6	MB-FL8 Hex Post, 3/4" steel	500-MCH114	2
7	3/8"ID, 3/4"OD rubber hose	500-MS019	1
8	3/8-16 x 2" threaded stud	500-MS020	1

MB-FL8 Mounting Plate



**MATERIAL HANDLING AND
INDUSTRIAL EXPERIENCE
SINCE 1974**

HOTOCRAFT INC

602 E. North Street 630-365-7148
Elburn, IL 60119, USA Fax: 630-365-7149
www.photocraftencoders.com