

MB-FL8

Shaft encoder mounting bracket

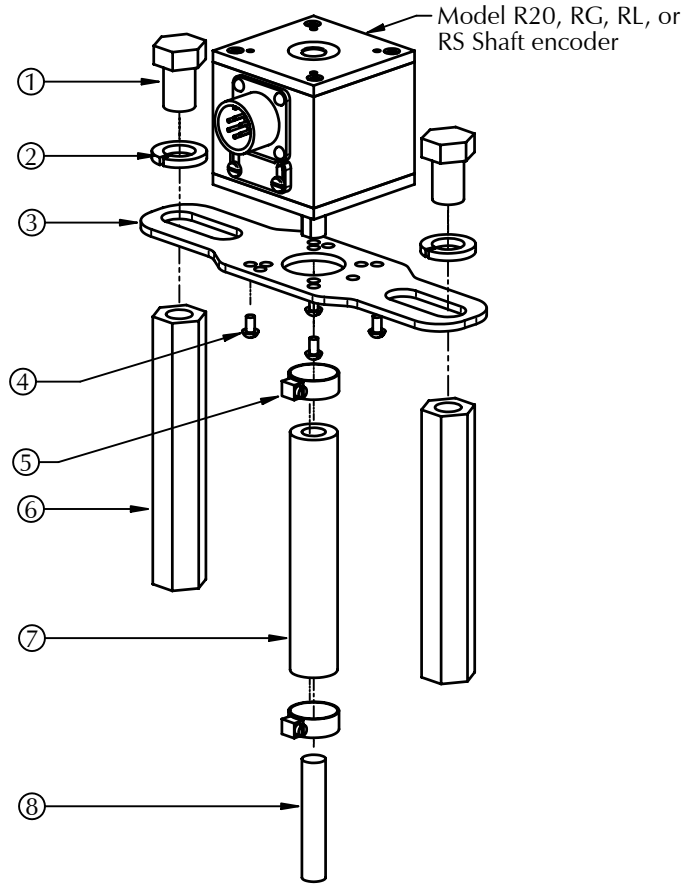
DESCRIPTION

The MB-FL8 provides a means to mount the Model R20, RG, RL or RS shaft encoders to a conveyor roller that is supported by a 2-bolt flange mount bearing with a bolt spacing of 4" to 6". A 3/8" threaded stud is inserted into a hole drilled and tapped at the end of the conveyor roller. The flexible rubber hose accommodates the misalignment between the threaded stud and the encoder bearings.

INSTALLATION

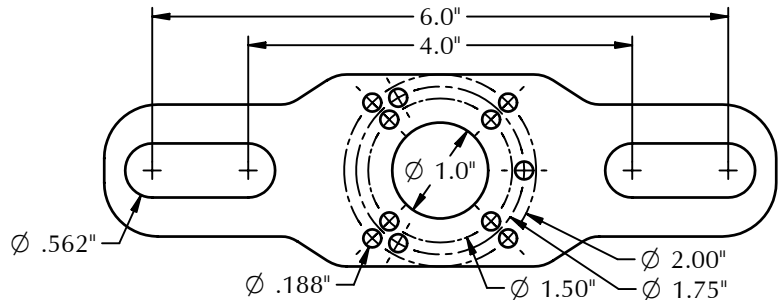
1. Drill and tap a 3/8-16 hole, 3/4" deep, in the end of the conveyor roller. To minimize the excess load on the encoder bearings, the hole must be in-line with the conveyor roller axis.
2. Insert the stud into the drilled hole.
3. Attached the rubber hose to the stud using one of the hose clamps.
4. Attach the 3/4" hex MB-FL8 mounting posts to the 2 flange mount bearing studs.
5. Assemble the encoder to the MB-FL8 mounting base using the 6-32 screws (or 8-32 for RL encoder).
6. Assemble the mounting plate and encoder to the mounting posts using the 1/2-13 bolts and lock washers. At the same time insert the encoder shaft into the hose and clamp it using the other hose clamp, shortening the hose if necessary.

NOTE: For maximum protection of the encoder bearings, the distance between the end of the encoder shaft and the end of the threaded stud should be as large as possible.

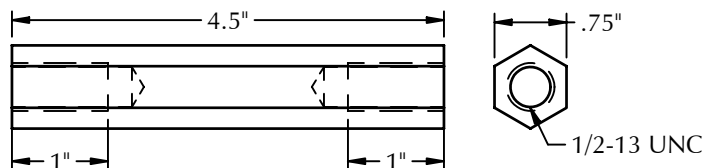


#	Description	Part No.	Qty
1	1/2-13 x 3/4 Bolt	550-SCR311	2
2	1/2" split-lock washer	550-WSH015	2
3	MB-FL8 Mounting Plate, 1/8" aluminum	500-MCH113	1
4	6-32 x 1/4" screws	550-SCR200	4
5	Hose clamp	500-MS018	2
6	MB-FL8 Hex Post, 3/4" steel	500-MCH114	2
7	3/8"ID, 3/4"OD rubber hose	500-MS019	1
8	3/8-16 x 2" threaded stud	500-MS020	1

MB-FL8 Mounting Plate



MB-FL8 Hex Post



**MATERIAL HANDLING AND
INDUSTRIAL EXPERIENCE
SINCE 1974**

HOTO-CRAFT INC

602 E. North Street **630-365-7148**
Elburn, IL 60119, USA Fax: 630-365-7149
www.photocraftencoders.com