

MB-FB5C

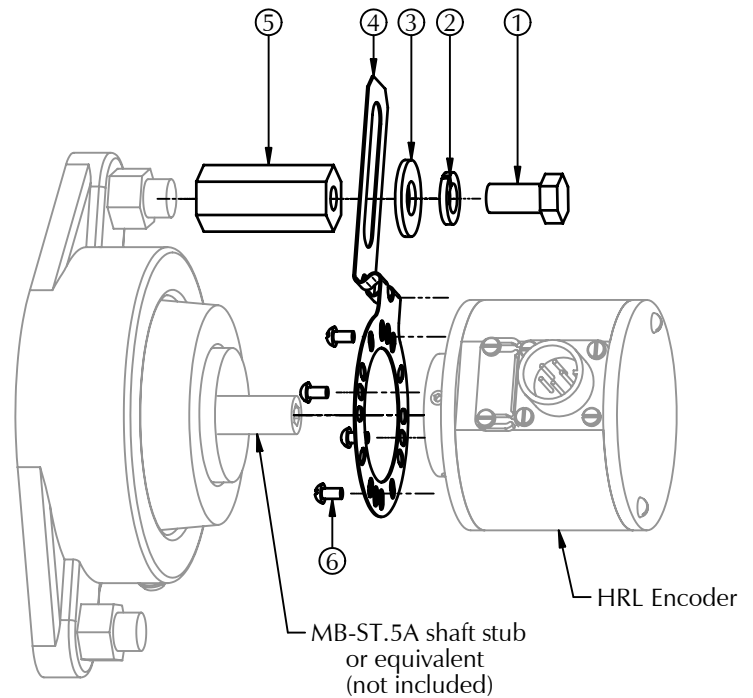
Hollow shaft encoder mounting

DESCRIPTION

The MB-FB5C provides a means to mount the model HRL and HRS hollow shaft encoders to a conveyor roller that is supported by a 2-bolt flange mount bearing with a bolt spacing of 5" to 8". It is commonly used with the MB-ST.5A shaft stub that is attached to the end of the conveyor roller and supports the encoder. The MB-FB5C provides a tether that prevents the encoder from rotating yet is flexible, thus avoiding excess load on the encoder bearings. Mounting hardware anchors the tether to one of the 1/2" threaded mounting studs of the flange bearing.

INSTALLATION

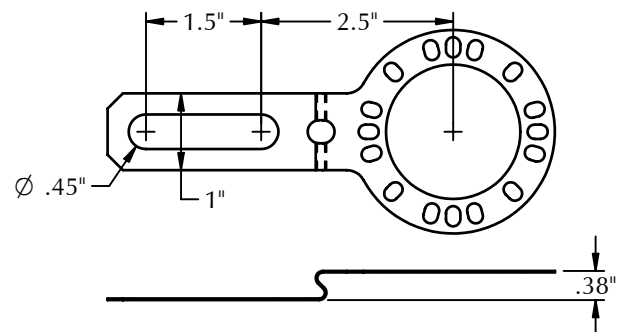
1. If using the MB-ST.5A shaft stub (purchased separately), drill and tap a 3/8-16 hole, at least 5/8" deep into the end of the conveyor shaft. Insert the MB-ST.5A shaft stub or equivalent. The shaft stub should be in-line with the shaft axis, so there is minimum wobble when the shaft is rotating.
2. Fasten the MB-FB5 flexible tether to the face of the encoder using the four 6-32 screws (supplied).
3. Attach the coupling nut to one of the 1/2" threaded mounting studs of the flange bearing. It may be necessary to remove the existing 1/2" nut.
4. Install the encoder onto the shaft stub (MB-ST.5A or equivalent), such that the flexible tether rests on the coupling nut. Tighten the encoder set screws.
5. Secure the tether to the coupling nut using the 3/8-16 cap screw and washers as shown.



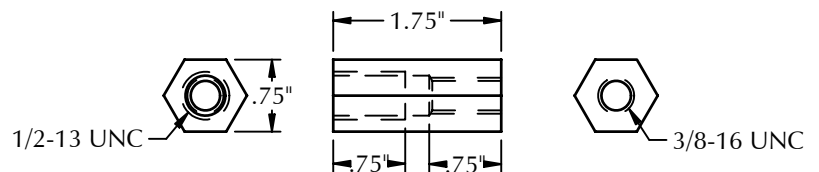
MB-FB5C includes the following parts

#	Description	Part No.	Qty
1	3/8-16 x 3/4" cap screw	550-SCR303	1
2	3/8" split lock washer	550-WSH005	1
3	3/8" flat washer	550-WSH007	1
4	MB-FB5 flexible tether	500-MSC016	1
5	Coupling nut	500-MCH118	1
6	6-32 x 3/16" round head screw	550-SCR202	4

MB-FB5 Flexible Tether



Coupling Nut



602 E. North Street **630-365-7148**
 Elburn, IL 60119, USA Fax: 630-365-7149
www.photocraftencoders.com