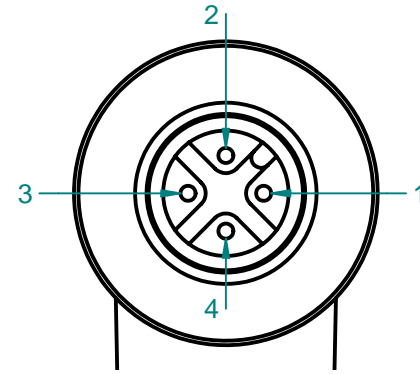
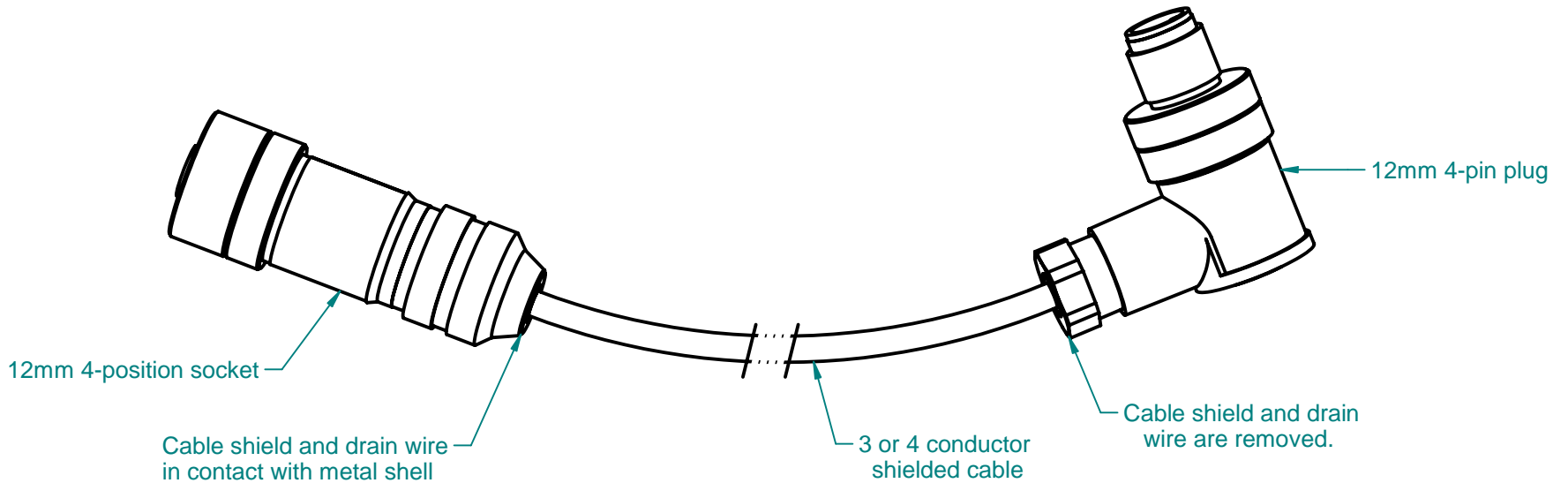


Connections  
2:1

Connections	
Pin No.	Function
1	Supply voltage
2	Output B
3	Common
4	Output A



Connections  
2:1



Rev	Description	Date	This information is approved only if it is stamped "APPROVED", signed, and dated.	Tolerances	<b>M238: M12.4 Extension cable with 90 degree M12 plug</b>	
			This document is provided for a specific purpose and the disclosed information remains our property. It may not be disclosed, copied, or reproduced, except for the specific purpose, without Photocraft's prior approval. This notice must appear on any copy or reproduction of this document.	.XXXX ± .0005 .XXX ± .005 .XX ± .01 .X ± .015	By: TRD	Mat'l:
			© 2011, Photocraft Inc.	Fractions ± 1/32 Angles ± 15 min Runout ± .003	Orig. Date: 8/26/11	Finish:
			Unless otherwise specified		Scale: 1 : 1	
					Photocraft Inc 602 E. North Street, Elburn IL 60119, USA www.photocraftencoders.com	
					<b>8A238</b>	