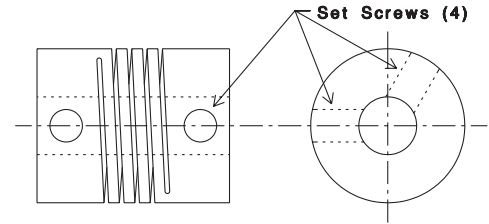


# Encoder Shaft Couplings

## Flexible Shaft Couplings

Helical coil style flexible couplings are available for shaft-to-shaft connection of the encoder. Their one-piece design results in no moving parts, no maintenance, and no backlash. These significantly reduce bearing wear caused by parallel, angular, and skewed (three-dimensional) misalignment of the mating shafts.

The couplings are manufactured from a single piece of aluminum and include 4 set screws, as shown in the diagram to the right. Other sizes are available.



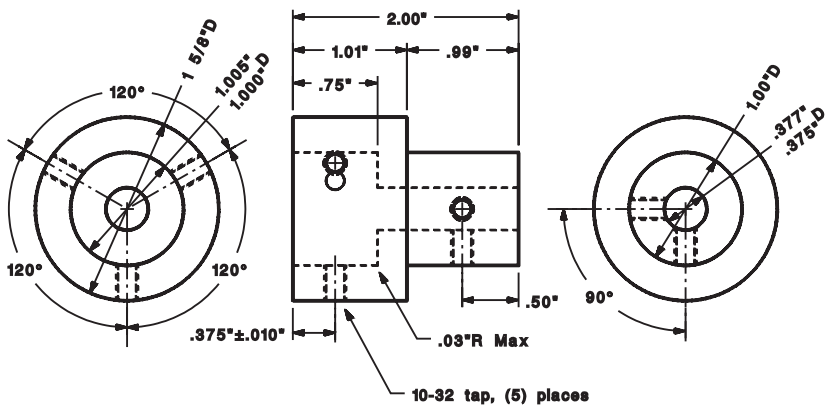
Model	Shaft Diameter	Dimensions D x L (in.)
AE087-10-10	5/16"	.875 x 1
AE087-8mm-8mm	8mm	.875 x 1
AE100-12-12	3/8"	1 x 1.25
AE100-10mm-10mm	10mm	1 x 1.25
AE-100-12mm-12mm	12mm	1 x 1.25

## MB-085 Rigid Shaft Couplings

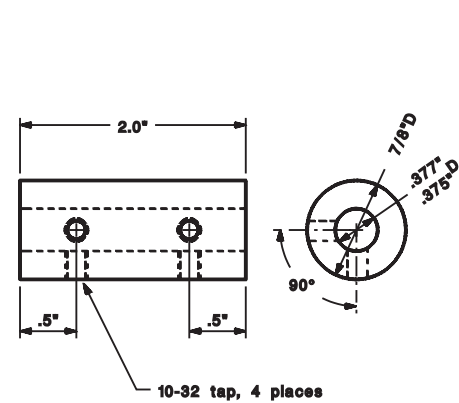
Rigid aluminum couplings are available for shaft-to-shaft connection of the encoder. These are appropriate where axial and angular misalignment is not an issue. The **MB-085** couples a 3/8" diameter encoder shaft to a 1" diameter shaft (see figure below). The **MB-085-.75** couples a 3/8" diameter encoder shaft to a 3/4" diameter shaft. The **MB-085-.375** couples a 3/8" diameter encoder shaft to a 3/8" diameter shaft.

Please inquire about other models. The couplings are manufactured from a single piece of aluminum and include 4 or 5 set screws, as shown in the diagrams below.

MB-085 or MB-085-.75



MB-085-.375



- Notes: 1. Supplied with (5) 10-32 x 5/16" L cup point socket set screws, alloy steel with black oxide finish.  
2. Runout: +/- .010"



602 E. North Street  
Elburn, IL 60119, USA  
www.photocraftencoders.com

630-365-7148  
Fax: 630-365-7149