

Encoder Adapters

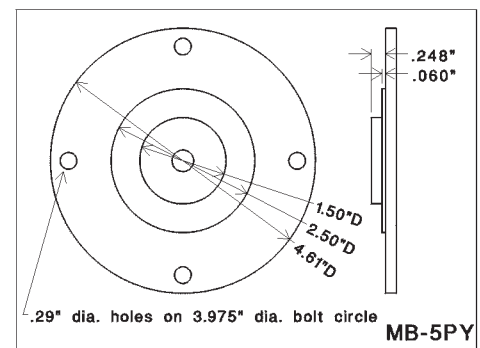
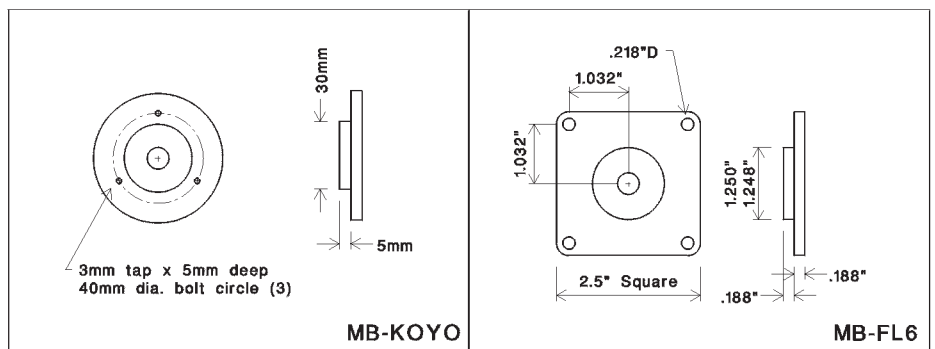
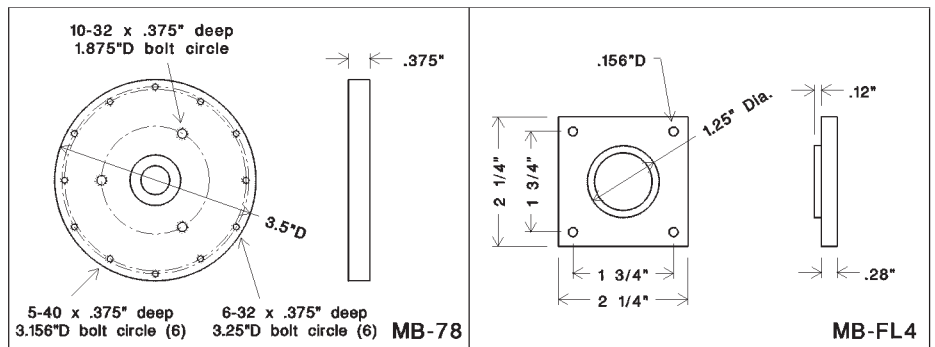
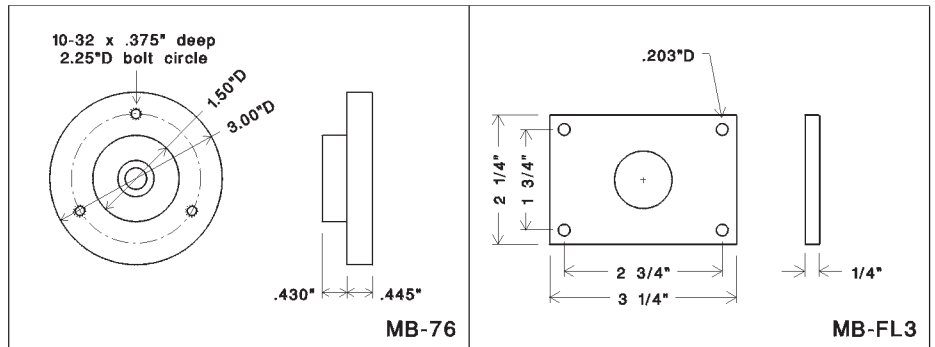
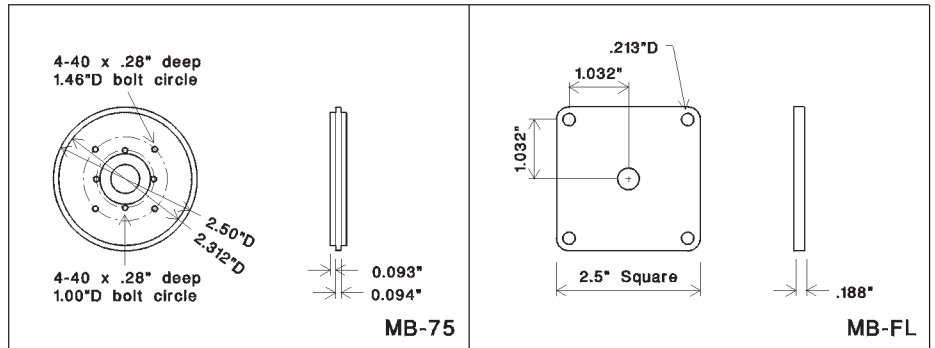
DESCRIPTION

The adapters shown in the figures to the right can be attached to the model RG, RJ or RS encoders to provide alternate bolt hole patterns or methods of mounting the encoder. The adapters are shipped attached to the encoder if ordered at the same time. If ordered separately, the adapters are supplied with hardware for attaching to the encoder. Because environmental seals are an integral part of the adapter, they can not be field installed on the RJ encoder, and therefore must be ordered with the encoder.

The table shows the adapters that can be used with each encoder model.

Adapter Model	Encoder Model		
	RG	RJ	RS
MB-075	X	X	
MB-076	X	X	
MB-078	X	X	
MB-FL	X	X	
MB-FL3	X		X
MB-FL4	X		
MB-KOYO	X	X	
MB-FL6	X	X	X
MB-5PY	X	X	

DIMENSIONS



OVER 30 YEARS OF
MATERIAL HANDLING AND
INDUSTRIAL EXPERIENCE

602 E. North Street
Elburn, IL 60119, USA
www.photocraftencoders.com

630-365-7148
Fax: 630-365-7149